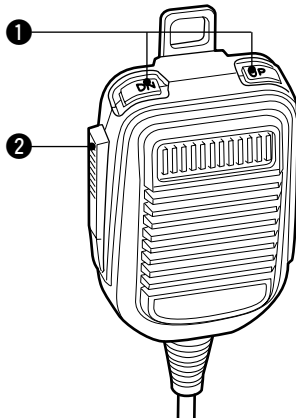


Microphone (HM-36)

DESCRIPTION



1 UP/DOWN SWITCHES [UP]/[DN]

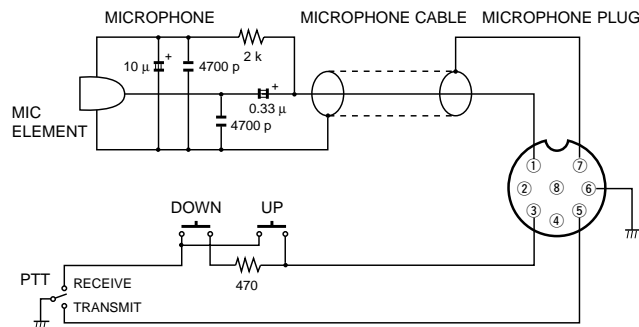
Change the selected readout frequency or memory channel.

- Continuous pushing changes the frequency or memory channel number continuously.
- The [UP]/[DN] switch can simulate a key paddle. Preset in the CW PADDL in initial set mode. (p. 32)

2 PTT SWITCH

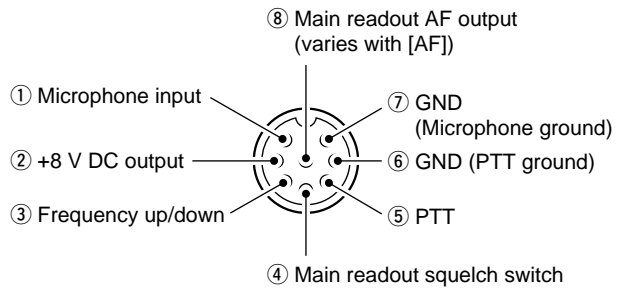
Push and hold to transmit; release to receive.

HM-36 SCHEMATIC DIAGRAM



MICROPHONE CONNECTOR

(Front view)



| [MIC] Pin No. | FUNCTION | DESCRIPTION |
|---------------|----------------|----------------------|
| 2 | +8 V DC output | Max. 10 mA |
| 3 | Frequency up | Ground |
| | Frequency down | Ground through 470 Ω |
| 4 | Squelch open | "Low" level |
| | Squelch closed | "High" level |

CAUTION: DO NOT short pin 2 to ground as this can damage the internal 8 V regulator.